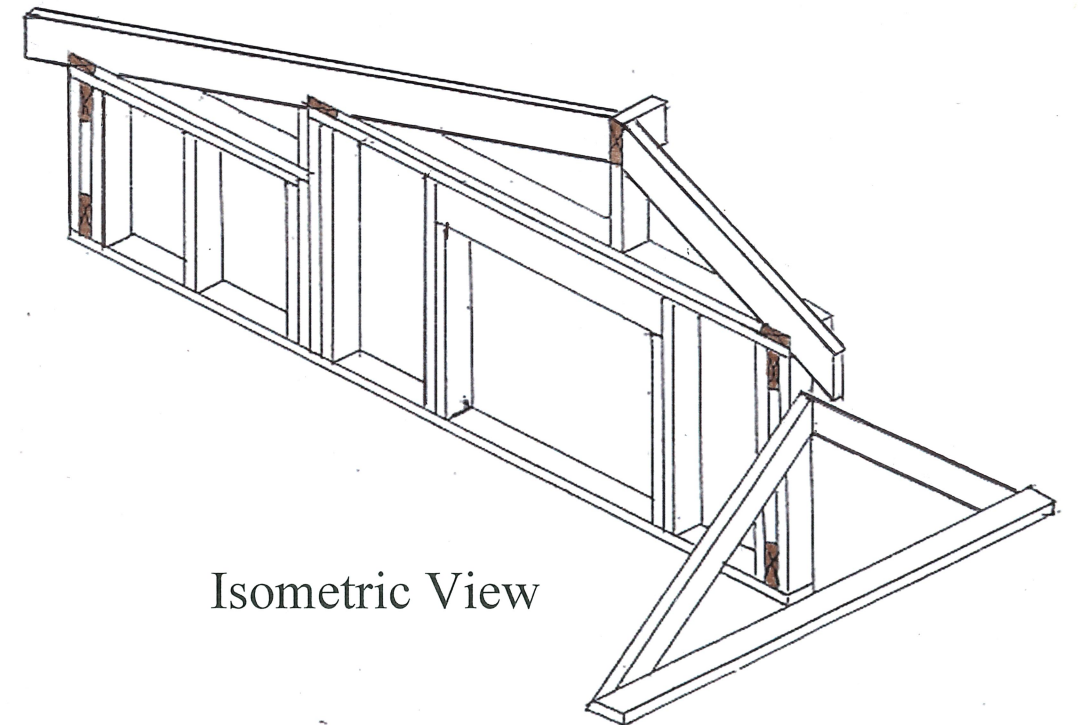
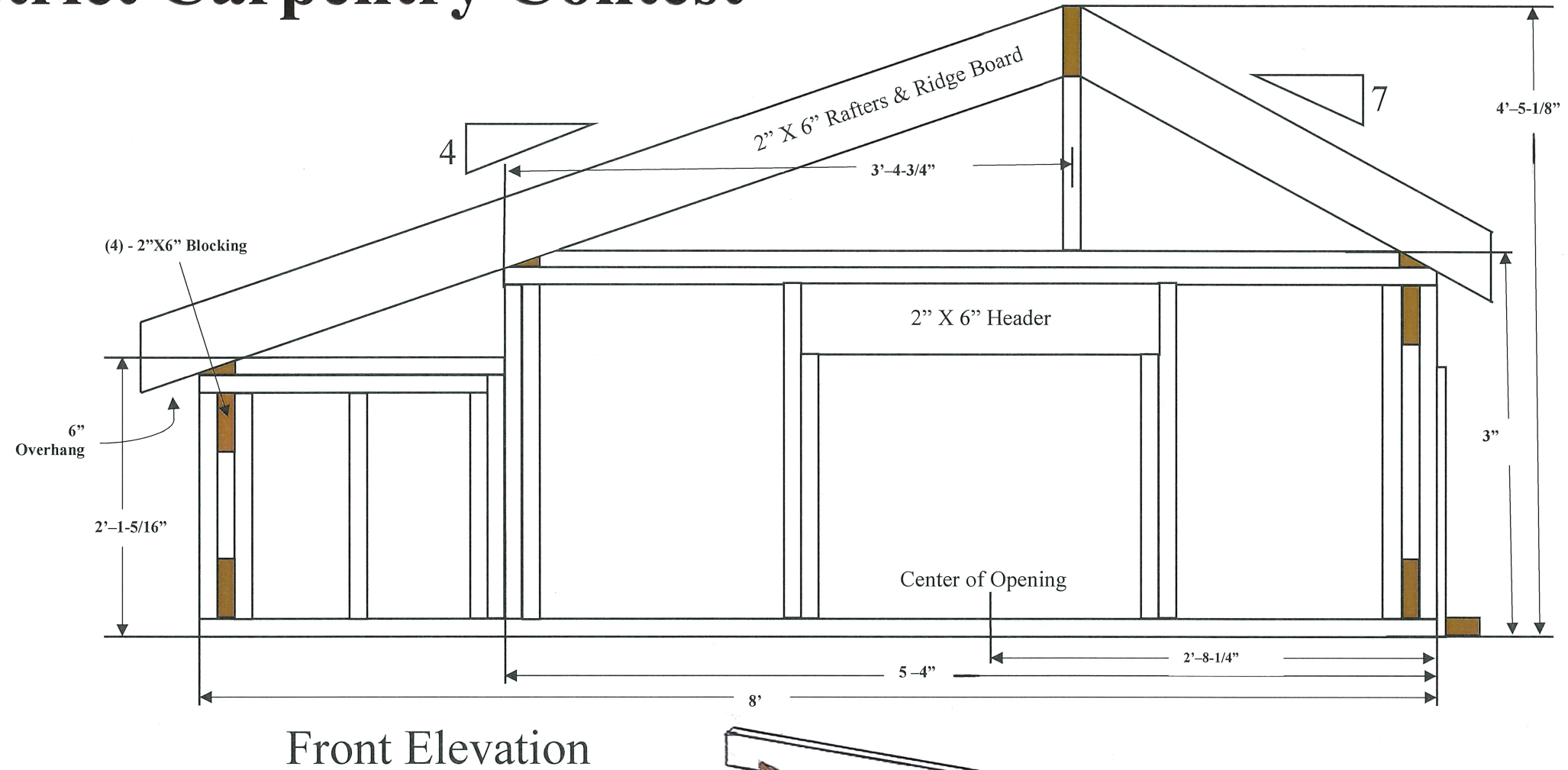
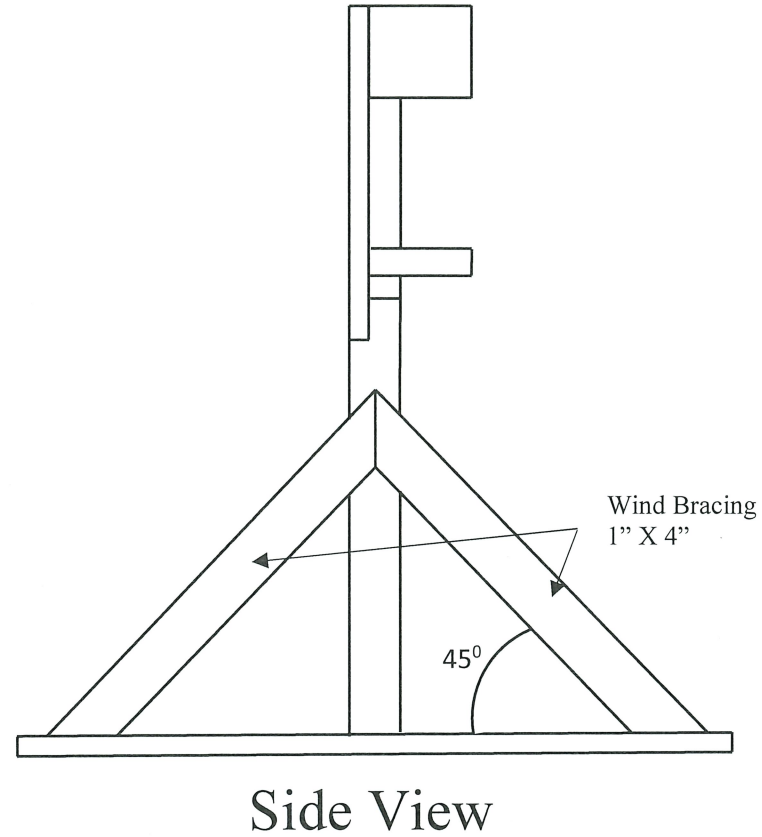


District Carpentry Contest



Material List:

- (2) - 2" X 6" X 8'
- (4) - 2" X 4" X 8'
- (8) - 2" X 4" X 92-5/8"
- (1) - 2" X 4" X 10'
- (1) - 1" X 4" X 8'
- (3) - 5-1/2" X 5-1/2" of 1/2" OSB for Header Spacing

No Platform needed for this build.