

2024 District Masonry Contest

Materials List

75 modular brick

2 bags of masonry premix mortar mix

Multiply these numbers for the amount of projects for each district.

Instructions

Lay the 8x8x16 CMU block on their sides with the holes facing out.

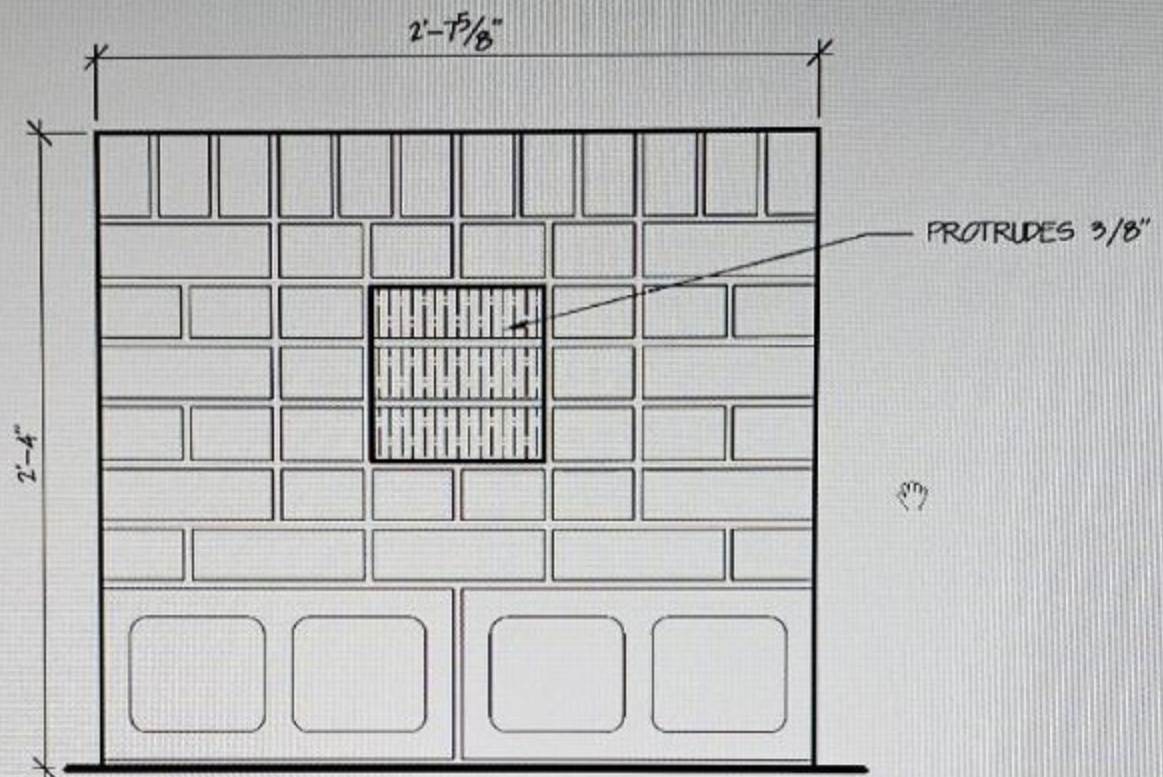
The modular brick should be spaced with a modular spacing ruler using the number 6 on the back of the rule.

Take the measurements from left front corner of the block.

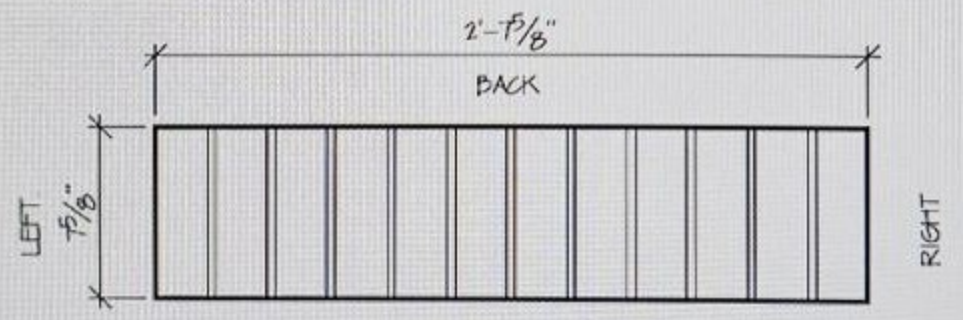
Any material layed incorrect will be considered incorrect design.

Three hour time limit. Once they leave the project they cannot go back.

The solid brick are layed on each end of the rollock.

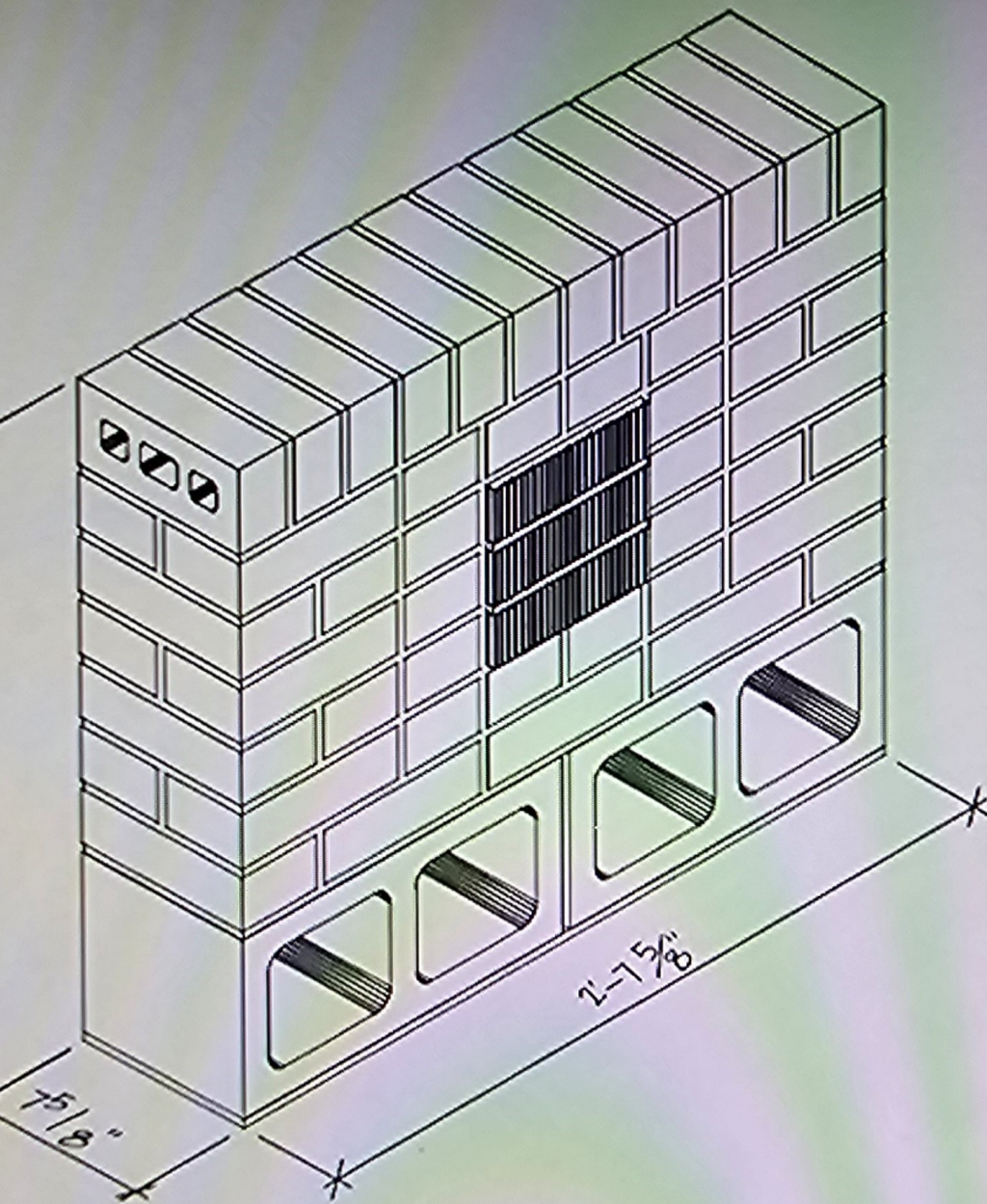


FRONT VIEW

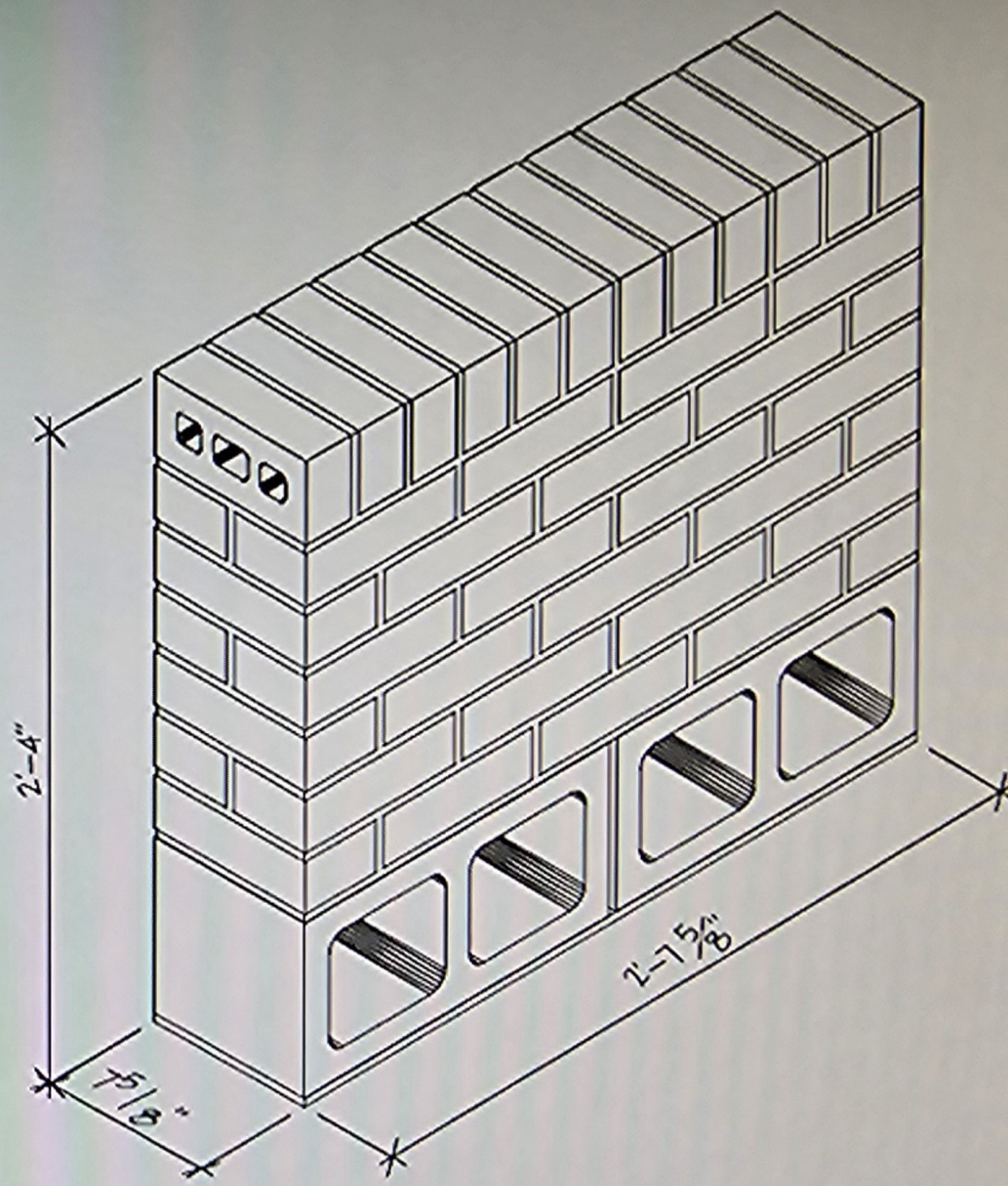


FRONT
PLAN VIEW

2024 MASONRY COMPETITION



FRONT ISOMETRIC



BACK ISOMETRIC